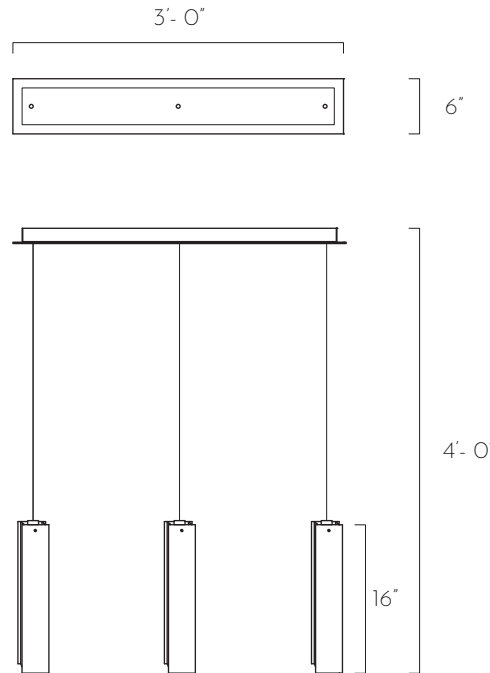


LONG DROPS

3 BLACK PENDANTS RECTANGULAR BAR



DESCRIPTION

A modern and sleek multi-pendant light fixture comprising of four hand-made glass penals vencasing a dimmable LED bulb. Ideal for your kitchen island, reception, dining, bar, study area or any space that requires bright LED Dimmable lighting.

TECHINCAL SPECIFICATIONS

Designed by

AM Studio Team

Category

Pendant Chandelier

Canopy Finish

Powder coated metal in Flat White/ Sparkle Silver

Canopy Size

36"L x 6"W x 1.5"H

Pendant Colour

3 units of Black

Pendant Size

3"W x 3"D x 16"H

Total Drop

4'H + 2' extra wire for adjustment

Bulb

MR16 LED - 12V

Recommended Dimming Switch

Lutron CTCL-153PD

Lutron Pro

Transformer:

Magnitude E60R12DC - 60W 12VDC - Dimmable - Class

2 LED Driver

Input: 120V

Output: 12V

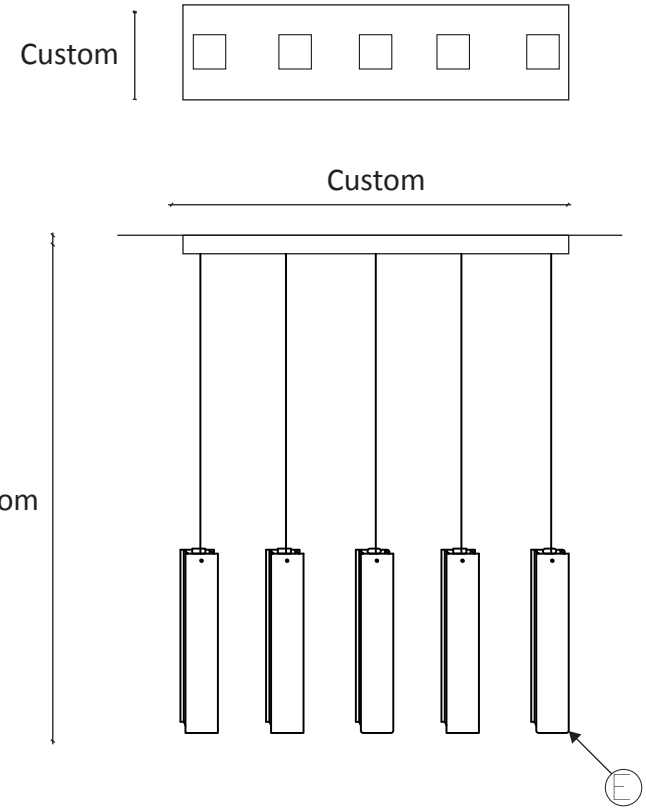
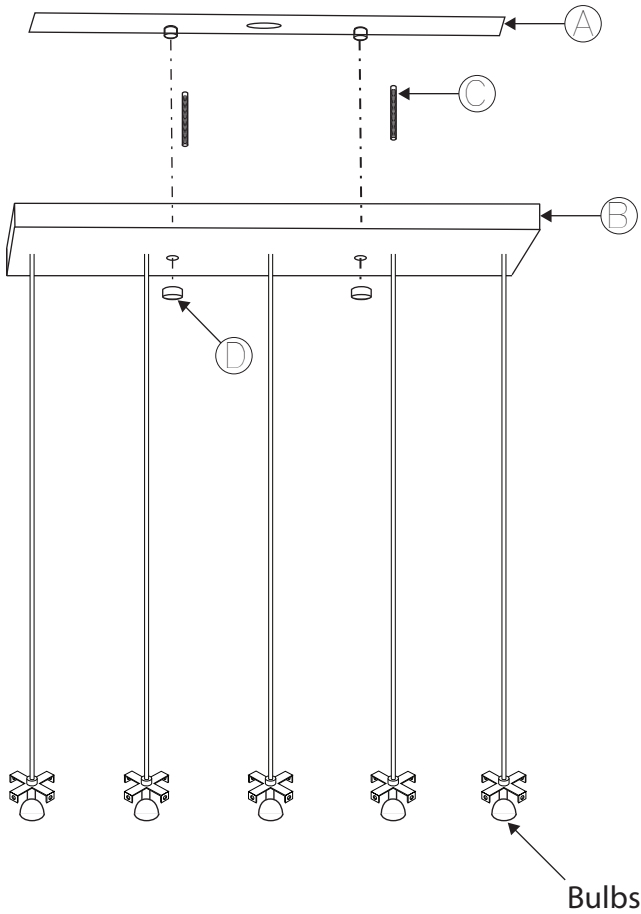
Electrical Outlet needed: 1

Approx. Weight

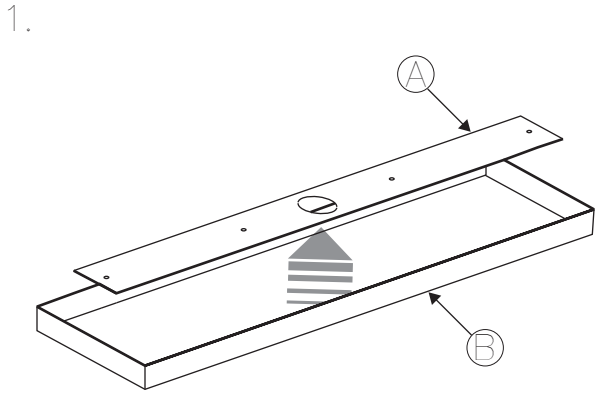
8 kg

Catalogue # LD-3B-36R

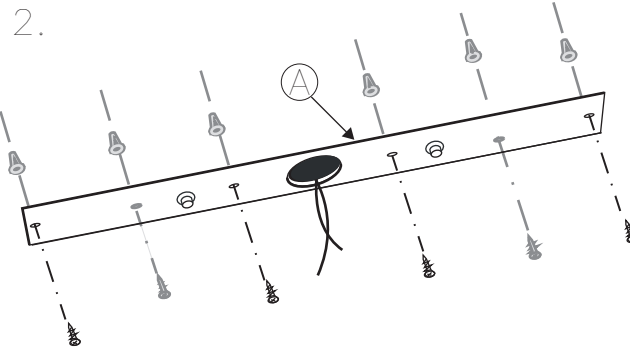
Note: Due to the nature of our handmade work, there may be slight variances in glass colour. AM Studio light fixtures are made to order, handmade and created in Toronto, Canada.



- Ⓐ x1 Bridge
- Ⓑ x1 Base
- Ⓒ x2 Support Rods (temporary mounting only)
- Ⓓ x2 Button Head Screws
- Ⓔ LONG DROPS - GLASS (See instructions page 3)



Separate (A) from (B)




Mount (A) to the ceiling.

Note: When mounting be sure to locate and mount (A) to a joist/ceiling beam

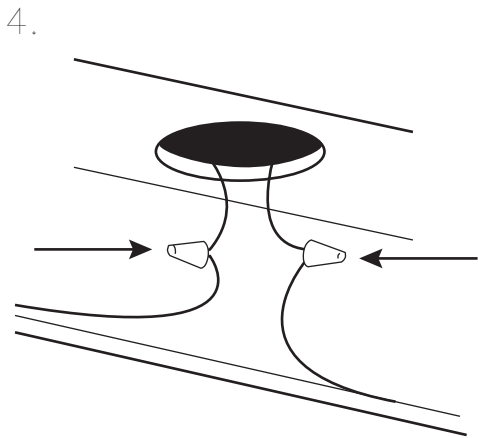
If you cannot do so, be sure to use drywall screws and anchors, drill additional holes for mounting for better support



Test lights by turning on power

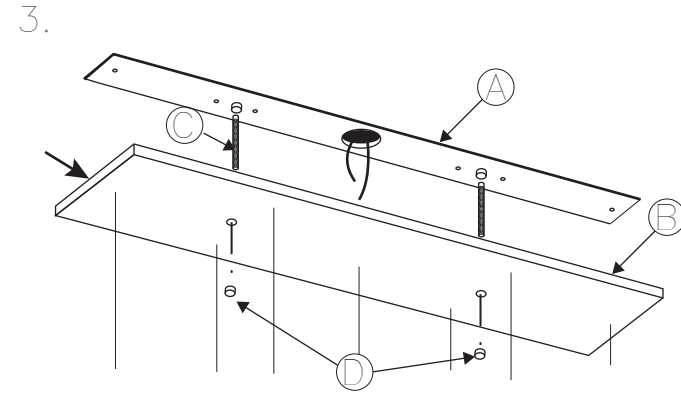
 *Make sure bulb is not touching the glass!*

Turn off power after testing



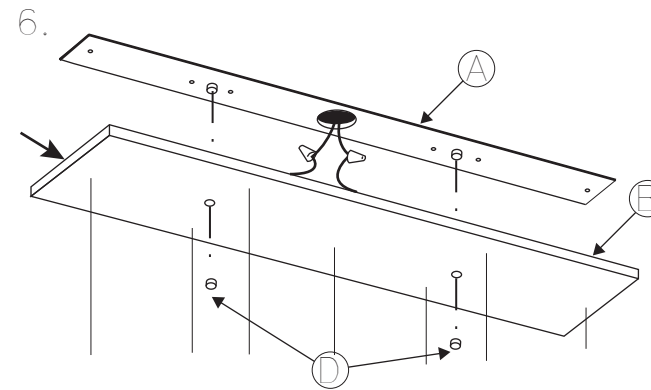
Connect electrical wire to the power

LONG DROPS Assembly Guide

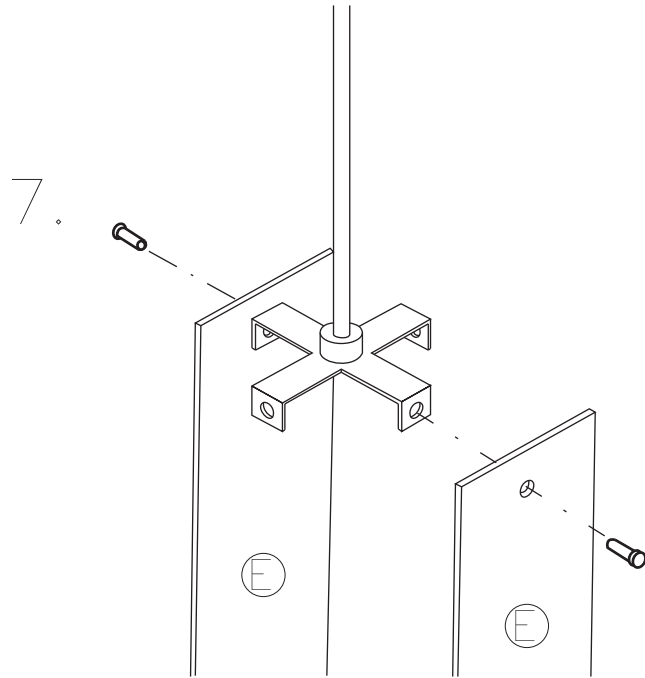


Use support rods (C) provided to hang (B) off of (A)

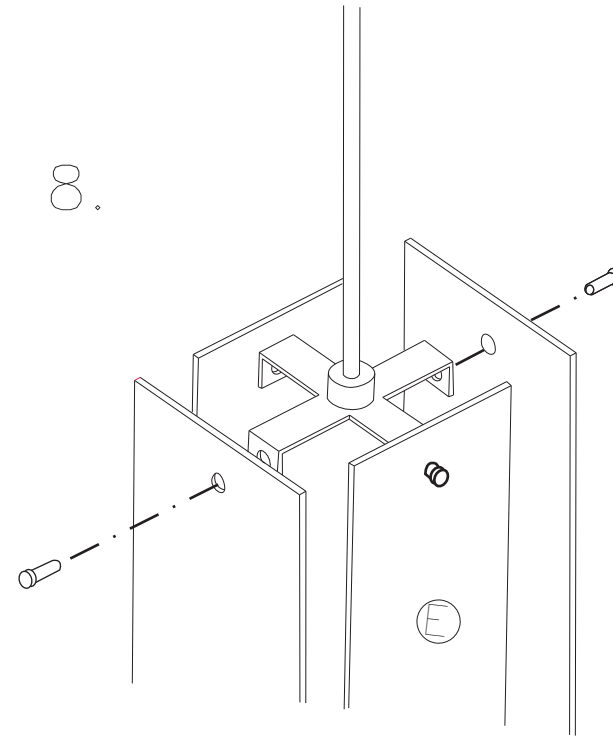
Complete attachment with button head screws (D)



Remove rods (C) and attach (B) to (A) with the button head screws (D)



7. Attach the 2 narrow (2" wide) glass pannels (E) first
Pannel should hang freely, do not over-tighten



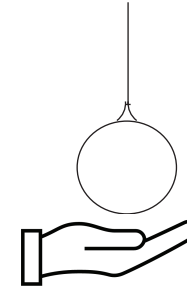
8. Attach the 2 wide (3" wide) glass pannels
Pannel should hang freely, do not over-tighten
 Make sure the glossy side is facing outwards

1.



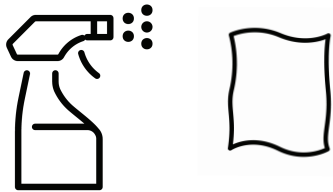
- Dust the cord/rope/chain with a duster.

2.



- Hold the glass pendant/light fixture and gently wipe with a duster or microfiber cloth to remove dust.

3.

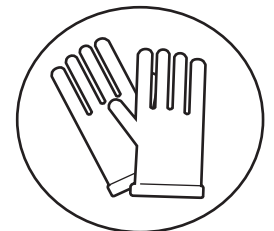


- For spot cleaning, use any good glass cleaner and a microfiber cloth.
⚠ Do **NOT** spray directly onto the light fixture/ glass pendant

4.



- Finish by gently wiping down the pendant with a soft, dry microfibre cloth.



Always use gloves when handling glass